

DEPANNER

Depanner



SARMAŞIK Depanner gently removes products from the pan and transfer the baked products, pan and pan cover to separate conveyors. System separates the products smoothly from pan by a noiseless air separator and suction conveyor removes product from pan and transfer them to the cooling conveyor. Adjustable suction conveyor height allows depanning of different bread sizes.

- Suitable for high capacity industrial lines
- Independent motor control for all operations such as suction conveyor height, bread conveyor height etc.
- PLC control unit
- Speed adjustment via inverter
- Touchscreen display
- Easy removable fitler, suction conveyor band and suction nozzles
- Suction air pressure adjustment damper
- Manually adjustable pan side guides
- Stainless steel side panels

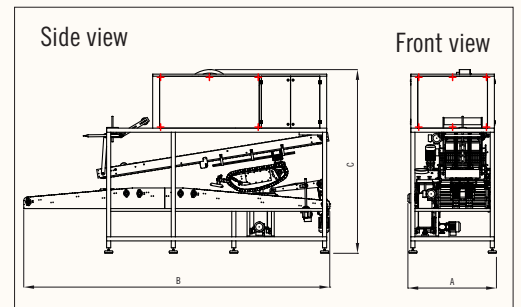
Technical Specifications

Model	Outer Dimensions			Max.Band Width	Infeed Height	Total Power	Power Requirement	Weight
	Width (A)	Length (B)	Height (C)					
DEPANNER	129 cm	65 cm	267 cm	65 cm	80 cm	18.5 kW	220-380V 50 Hz	1650 kg

OPTIONAL

- Magnetic pan cover removal conveyor
- Stainless steel frame
- Different models for different pan sizes

Technical Drawings



Subject to alteration without prior notice.



Head Office:
Huzur Mah. Eski Oto San. Sit.
Menderes Cad. No: 7
Şişli 34396 İstanbul, TÜRKİYE
Tel : +90 212 284 7305 pbx
Fax : +90 212 284 7318
GSM : +90 533 658 7663

Factory:
G.O.S.B Kemal Nehroğlu Cad.
No: 502 Gebze 41430
Kocaeli, TÜRKİYE
Tel : +90 262 751 0241 pbx
Fax : +90 262 751 0248
GSM : +90 533 658 7664

SARMAŞIK CORPORATION
60 Hall Street Medford,
Boston, MA 02155 USA
Tel : +1 781 894 2922
Fax : +1 781 628 0208
www.sarmatek.com
sarmatek@sarmatek.com

**SARMAŞIK BAKERY SYSTEMS
AND TRADE**
P.O.Box: 262926 Dubai, UAE
Tel : +971 4 887 1366
Fax : +971 4 887 1377
www.sarmasik.ae
sarmasik@eim.ae